

CSF GERA.
Security has no limits.





■ pag. 04 **What is CSF?**

■ pag. 06 **Applications**

■ pag. 08 **Profiles**

■ pag. 09 **Product range**

■ pag. 15 **Software**

**CSF**[®]

CSF

Combined system flat key

CSF is a flexible system allowing the development of Master Key systems for any type of security and economic requirement.

CSF creates secure MK systems according to the organisational needs and security levels required by the different premises: an area, a department, an entire floor, an office and so on.

CSF includes 6 levels of products which can be combined one another in an MK system thanks to 120 effective key profiles.

6 product levels



CSF can be increased or extended at any time without any problem.

F9

F90

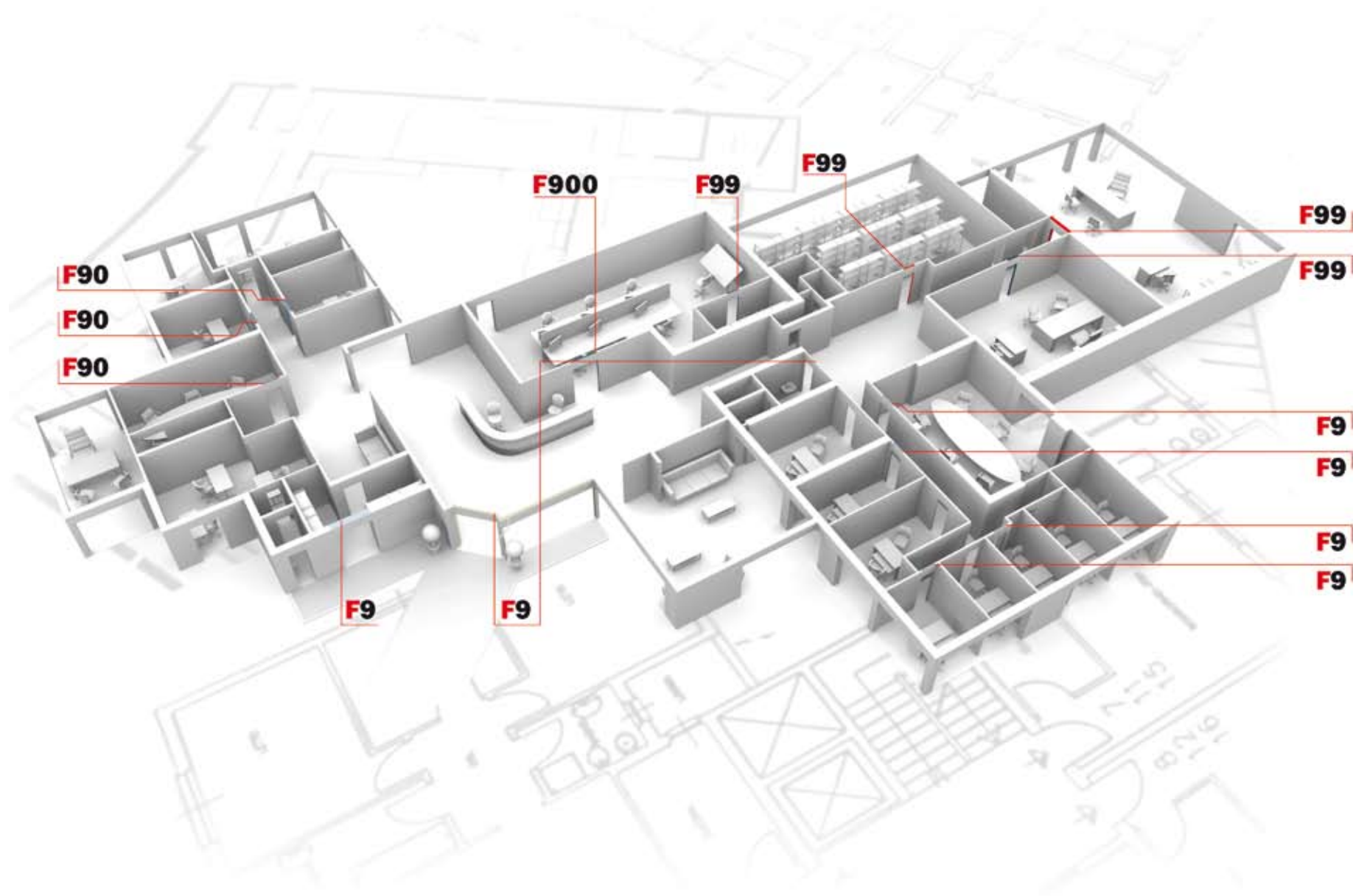
F99

F900

F9 + F90

F9 + F99





F90

F90

F90

F900

F99

F99

F99

F99

F9

F9

F9

F9

F9

F9



CSF
security
everywhere



CSF is the ideal choice for anybody wishing to simplify and identify an access while increasing its security, for example:

- Designers • Architects
- Security Managers
- Private owners

- Hospitals ■ Schools ■ Shopping centres
- Companies ■ Research centres
- Offices ■ Banks ■ Flats ■ Houses



CSF. Applicable to any cylinder

ISEO[®]



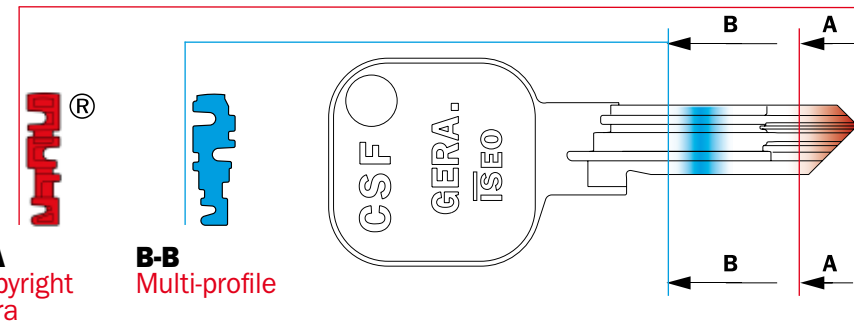


Profiles

(registered and patented profile)

Protected and registered multi-profiles without time limit (only ISEO can produce the blanks).

The key profile showing the word GERA is registered world-wide and is without time limit.



A-A
Copyright
Gera

B-B
Multi-profile



Markenschutz
MIFRO®



To meet market demand, each key is provided with two different profiles. Starting from the registration of the profile of section A-A of F9, for F90, F99, F900 further patented systems are added for a higher security level in the system.

Product range

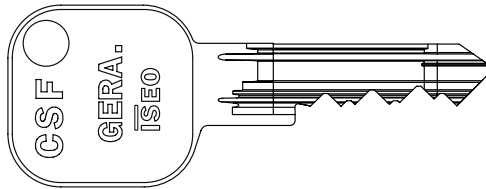
CSF

A unique and innovative system.

ISEO technology combines within CSF to offer total flexibility with utmost security.



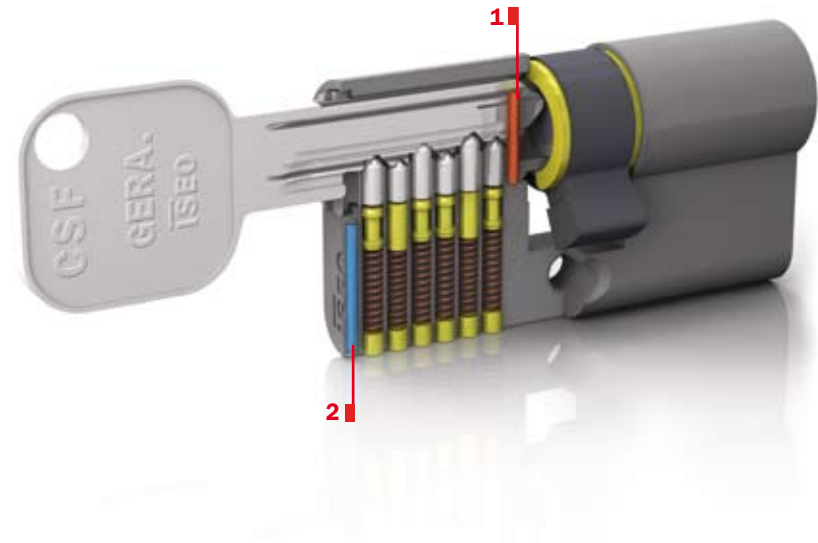
CSF_F9 cylinder



F9

_6 pins with pick resistant top pins

_Registered profile® (copyright) without time limit



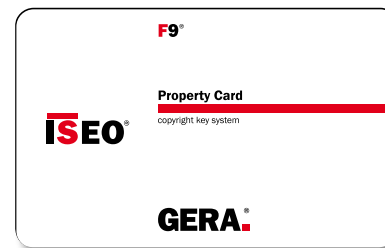
2 Antidrill pin.

1 Programmed management of key profile.

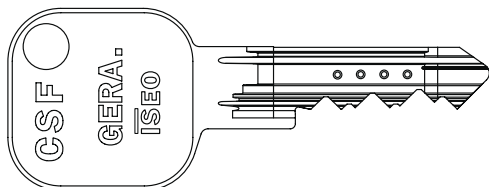
F9

■ Programmed management of profile thickness.

■ Antidrill pin in cylinder body.



CSF_F90 cylinder

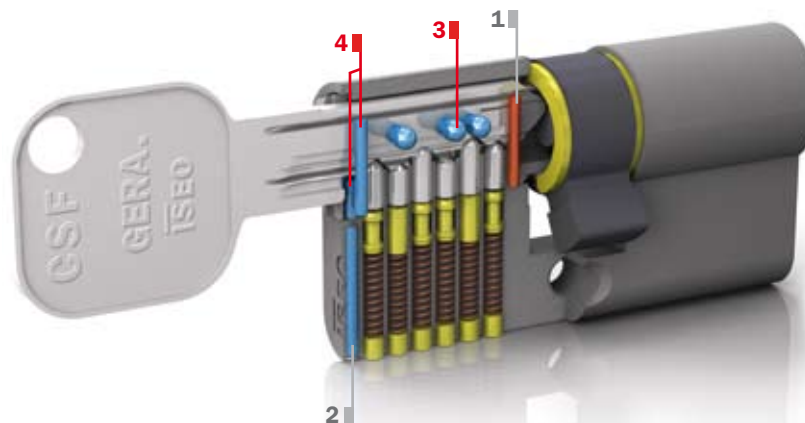


F90*

_6 pins with pick resistant top pins

_Registered profile® (copyright) without time limit

_2 to 5 side pins
(patent n° EP0953699B1)



4 Antidrill device in the barrel.

F90

3 Side pins.

2 Antidrill pin.

F9

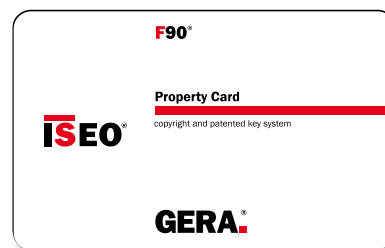
1 Programmed management of key profile.

■ Programmed management of profile thickness.

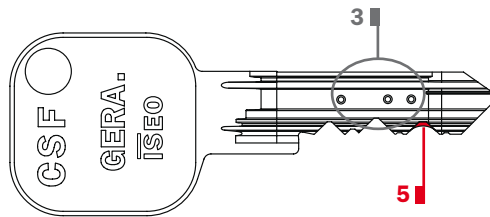
■ Antidrill pin in cylinder body.

■ Side pins.
Patent n° EP0953699B1.

■ Antidrill device in the barrel.



CSF_F99 cylinder



F99®

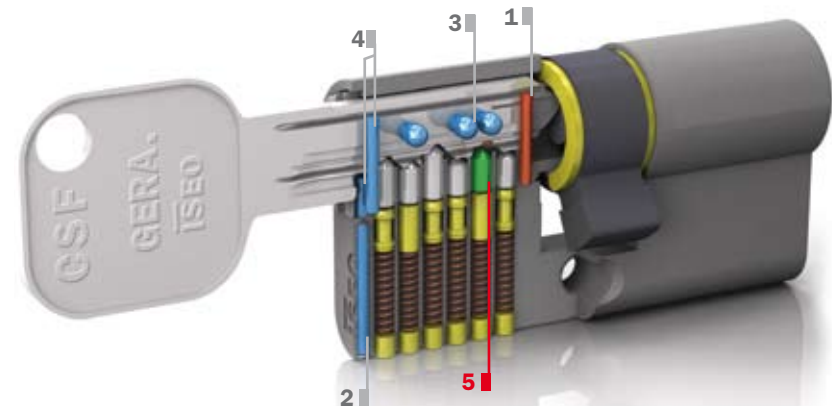
_ 6 pins with pick resistant top pins

_ Registered profile ® (copyright) without time limit

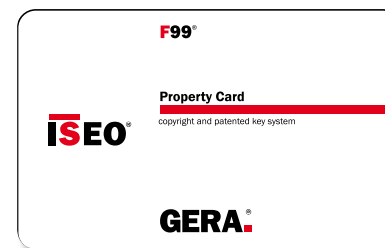
_ 2 to 5 side pins
(patent n° EP0953699B1)

_ Patented hole
(patent n° EP0911465B1)

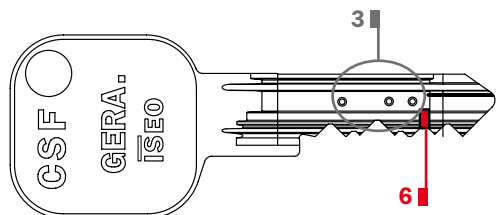
- Programmed management of profile thickness.
- Antidrill pin in cylinder body.
- Side pins.
Patent n° EP0953699B1.
- Antidrill device in the barrel.
- Cylindrical hole on the key.
Patent n° EP0911465B1.



- 5 Cylindrical hole on the key. **F99**
- 4 Antidrill device in the barrel. **F90**
- 3 Side pins.
- 2 Antidrill pin. **F9**
- 1 Programmed management of key profile.



CSF_F900 cylinder



F900*

_ 6 pins with pick resistant top pins

_ Registered profile® (copyright) without time limit

_ 2 to 5 side pins
(patent n° EP0953699B1)

_ Patented magnet
(patent n° EP1482108A3)

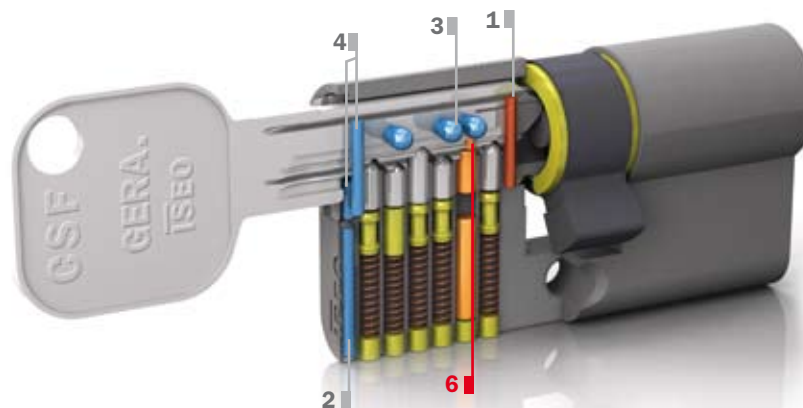
■ **Programmed management of profile thickness.**

■ **Antidrill pin in cylinder body.**

■ **Side pins.**
Patent n° EP0953699B1.

■ **Antidrill device in the barrel.**

■ **Magnetic coding.**
Patent n° EP1482108A3.



6 Magnetic coding.

4 Antidrill device in the barrel.

3 Side pins.

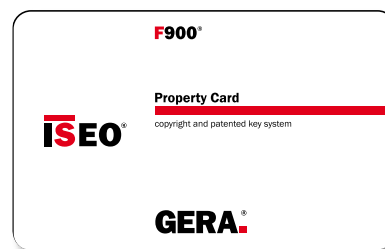
2 Antidrill pin.

1 Programmed management of key profile.

F900

F90

F9



CSF Property card

Every **CSF** cylinder has a property card (the code of which is different from that of the key).

Master Key systems only have one property card - MPC Master Key Plan Card - which shows the system number needed to authorise the duplication of all cylinders and of all individual and master keys.

Only ISEO and its subsidiaries duplicate and send the CSF keys.



In case of loss, a new card shall be requested through the special procedure.

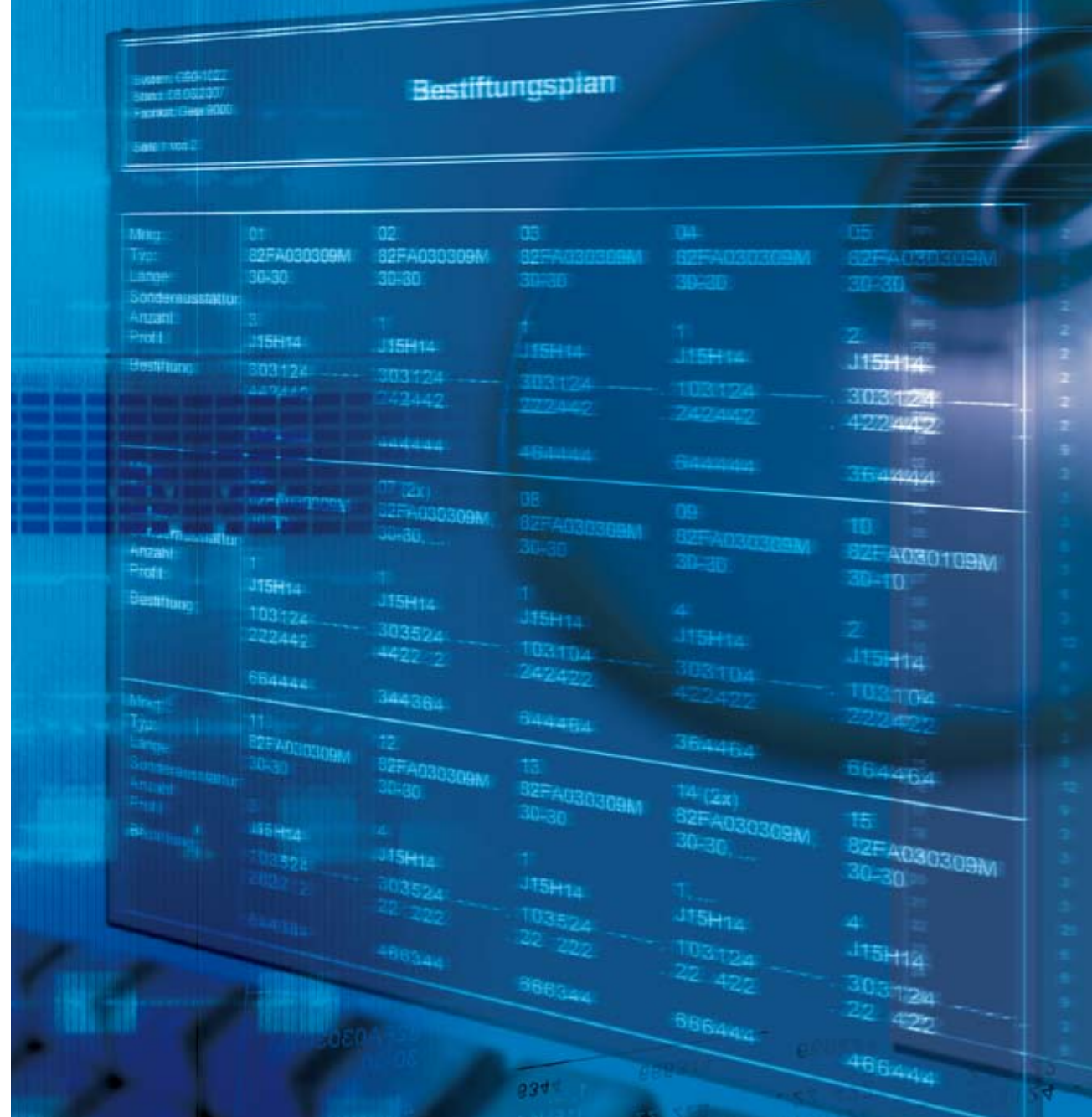



The C2B Software

ISEO offers a dedicated and user-friendly software, used in a Windows® environment, to support the operators and their customers in the design, construction and management of Master Key systems.

This software allows for a quicker, easier and more efficient process. It automatically generates all the information necessary to define and produce Master Key Systems.

Through this software, customers can draw up the diagram and send it to ISEO who, in its turn, will ensure production.





Iseo Serrature s.p.a.
Società con azionista unico
Via San Girolamo 13
I-25055 Pisogne (BS)
Tel. (39) 0364 88 21
Fax (39) 0364 88 22 63
www.iseo.eu

An Iseo Holding s.p.a. Company